

Motors for the long run



HK系列高转矩设计三相异步电动机

HK系列三相异步电动机是华达公司根据高起动转矩应用工况进行特殊设计的专用系列产品，中心高H63~400，该系列电动机主要应用于驱动各种要求高起动转矩的机械设备，如磨机、皮带机、破碎机、提升机、活塞泵、活塞式压缩机等。

适用环境

- ◆ 环境温度范围: -20~50°C
- ◆ 环境湿度: 相对湿度不大于95%
- ◆ 海拔高度: 1000米及以下
- ◆ 环境场所: 无腐蚀性气体、无粉尘、无重金属污染、无火焰、无盐类结晶等场所

基准

- ◆ 设计: H
- ◆ 冷却方式: IC411
- ◆ 防护等级: IP55
- ◆ 安装方式: B3 B5 B35 B14 B34 V1
- ◆ 安装尺寸: 同华达公司HJN系列IE2电机
- ◆ 工作制: S1

应用工况

- ◆ 电源条件: 电压380V, 变化率±5%, 频率50Hz, 变化率±2%, 电压及频率同时变化率不超过±5%
- ◆ 电机接法: 3KW及以下者为Y接法; 其它功率均为△接法

可选项

- ◆ 防护等级: IP56
- ◆ 停机加热带
- ◆ 绕组热敏电阻PTC150
- ◆ 或绕组PT100测温元件(中心高160及以上)
- ◆ 轴承温度探测PT100(中心高200及以上)
- ◆ 辅助接线盒(中心高160及以上)
- ◆ 加大接线盒(中心高250及以上)
- ◆ 特殊安装尺寸及轴伸尺寸
- ◆ 低振动、低噪音
- ◆ 特殊油漆喷涂要求
- ◆ 其它特殊要求

订货须知

- ◆ 订货时请注明电动机的额定功率、电压、频率、转速、高起动转矩设计(H)设计要求、安装结构方式、环境温度、旋转方向(从轴伸端视之)等必备信息。
- ◆ 如有特殊要求时, 如非连续工作制、非标准功率、电压、频率、安装尺寸、海拔高度、特殊环境、双轴伸、承受轴向力、皮带传动方式等, 请在产品询价时提出。

性能参数

| 电机型号 | 额定功率 | | 电流 | 转速 | 功率因数 | 效率 | 堵转电流 /额定电流 | 堵转转矩 /额定转矩 | 最大转矩 /额定转矩 | 转动惯量 | 重量 |
|------------|------|------|------|-------|------|------|---------------|---------------|---------------|------------------|----|
| | kW | HP | A | r/min | COSφ | η% | Ist/In | Tst/Tn | Tmax/Tn | kgm ² | kg |
| HK 63M1-2 | 0.18 | 0.24 | 0.53 | 2720 | 0.80 | 64.9 | 5.5 | 2.5 | 2.4 | 0.00016 | 10 |
| HK 63M2-2 | 0.25 | 0.33 | 0.69 | 2730 | 0.81 | 67.9 | 5.5 | 3.0 | 2.9 | 0.00018 | 11 |
| HK 63M1-4 | 0.12 | 0.16 | 0.45 | 1340 | 0.72 | 56.9 | 4.4 | 2.8 | 2.4 | 0.00032 | 10 |
| HK 63M2-4 | 0.18 | 0.24 | 0.63 | 1330 | 0.73 | 59.9 | 4.4 | 2.8 | 2.8 | 0.00039 | 11 |
| HK 71M1-2 | 0.37 | 0.5 | 0.99 | 2770 | 0.81 | 69.9 | 5.5 | 2.8 | 2.8 | 0.00033 | 14 |
| HK 71M2-2 | 0.55 | 0.75 | 1.40 | 2810 | 0.82 | 72.9 | 5.5 | 3.5 | 4.3 | 0.00046 | 15 |
| HK 71M1-4 | 0.25 | 0.33 | 0.79 | 1400 | 0.74 | 64.9 | 4.4 | 2.9 | 3.3 | 0.00063 | 14 |
| HK 71M2-4 | 0.37 | 0.5 | 1.12 | 1382 | 0.75 | 66.9 | 4.4 | 2.9 | 3.4 | 0.00071 | 15 |
| HK 71M1-6 | 0.18 | 0.24 | 0.74 | 906 | 0.66 | 55.9 | 4.0 | 2.6 | 2.6 | 0.00091 | 14 |
| HK 71M2-6 | 0.25 | 0.33 | 0.95 | 892 | 0.68 | 58.9 | 4.0 | 2.3 | 2.2 | 0.0011 | 15 |
| HK 80M1-2 | 0.75 | 1.0 | 1.83 | 2835 | 0.83 | 74.9 | 7.0 | 2.8 | 2.8 | 0.00085 | 16 |
| HK 80M2-2 | 1.1 | 1.5 | 2.59 | 2835 | 0.84 | 76.9 | 7.0 | 2.9 | 2.8 | 0.0011 | 17 |
| HK 80M1-4 | 0.55 | 0.75 | 1.57 | 1410 | 0.75 | 70.9 | 5.2 | 2.9 | 2.8 | 0.00131 | 17 |
| HK 80M2-4 | 0.75 | 1.0 | 2.06 | 1402 | 0.76 | 72.9 | 6.0 | 3.1 | 2.8 | 0.00148 | 18 |
| HK 80M1-6 | 0.37 | 0.5 | 1.30 | 905 | 0.70 | 61.9 | 4.7 | 2.3 | 2.3 | 0.00152 | 17 |
| HK 80M2-6 | 0.55 | 0.75 | 1.79 | 908 | 0.72 | 64.9 | 4.7 | 2.3 | 2.3 | 0.00194 | 19 |
| HK 80M1-8 | 0.18 | 0.24 | 0.88 | 693 | 0.61 | 50.9 | 3.3 | 2.1 | 2.2 | 0.00173 | 19 |
| HK 80M2-8 | 0.25 | 0.33 | 1.16 | 689 | 0.61 | 53.9 | 3.3 | 2.1 | 2.2 | 0.00204 | 20 |
| HK 80M1-10 | 0.09 | 0.12 | 0.64 | 540 | 0.48 | 44.5 | 2.5 | 2.1 | 2.2 | 0.00173 | 19 |
| HK 80M2-10 | 0.12 | 0.16 | 0.78 | 540 | 0.50 | 46.6 | 2.5 | 2.1 | 2.2 | 0.00204 | 20 |
| HK 90S-2 | 1.5 | 2.0 | 3.44 | 2840 | 0.84 | 78.9 | 6.4 | 3.1 | 3.1 | 0.00146 | 22 |
| HK 90L-2 | 2.2 | 3.0 | 4.86 | 2855 | 0.85 | 80.9 | 6.2 | 2.9 | 3.1 | 0.00185 | 25 |
| HK 90S-4 | 1.1 | 1.5 | 2.85 | 1395 | 0.77 | 76.1 | 6.0 | 2.5 | 2.5 | 0.00212 | 22 |
| HK 90L-4 | 1.5 | 2.0 | 3.68 | 1412 | 0.79 | 78.4 | 6.0 | 2.6 | 2.9 | 0.00287 | 28 |
| HK 90S-6 | 0.75 | 1.0 | 2.30 | 922 | 0.72 | 68.9 | 5.5 | 2.3 | 2.4 | 0.00297 | 23 |
| HK 90L-6 | 1.1 | 1.5 | 3.18 | 918 | 0.73 | 71.9 | 5.5 | 2.3 | 2.4 | 0.00392 | 25 |
| HK 90S-8 | 0.37 | 0.5 | 1.49 | 691 | 0.61 | 61.9 | 4.0 | 2.2 | 2.5 | 0.00343 | 24 |
| HK 90L-8 | 0.55 | 0.75 | 2.18 | 703 | 0.61 | 62.9 | 4.0 | 2.3 | 2.5 | 0.00425 | 25 |

| 电机型号 | 额定功率 | | 电流 | 转速 | 功率因数 | 效率 | 堵转电流 /额定电流 | 堵转转矩 /额定转矩 | 最大转矩 /额定转矩 | 转动惯量 | 重量 |
|-------------|------|------|-------|-------|------|------|---------------|---------------|---------------|------------------|----|
| | kW | HP | A | r/min | COSφ | η% | Ist/In | Tst/Tn | Tmax/Tn | kgm ² | kg |
| HK 90S-10 | 0.18 | 0.24 | 1.00 | 545 | 0.51 | 53.4 | 3.0 | 2.1 | 2.2 | 0.00356 | 25 |
| HK 90L-10 | 0.25 | 0.33 | 1.38 | 545 | 0.51 | 53.9 | 3.0 | 2.1 | 2.2 | 0.00436 | 26 |
| HK 90S-12 | 0.18 | 0.24 | 1.31 | 460 | 0.45 | 46.4 | 2.5 | 2.1 | 2.2 | 0.00356 | 25 |
| HK 90L-12 | 0.25 | 0.33 | 1.72 | 465 | 0.46 | 47.9 | 2.5 | 2.1 | 2.2 | 0.00436 | 26 |
| HK 100L-2 | 3.0 | 4.0 | 6.32 | 2867 | 0.87 | 82.9 | 7.5 | 2.5 | 2.8 | 0.00325 | 33 |
| HK 100L1-4 | 2.2 | 3.0 | 5.10 | 1431 | 0.81 | 80.9 | 7.0 | 2.6 | 2.8 | 0.00606 | 34 |
| HK 100L2-4 | 3.0 | 4.0 | 6.74 | 1431 | 0.82 | 82.5 | 7.0 | 2.6 | 2.8 | 0.00779 | 38 |
| HK 100L-6 | 1.5 | 2.0 | 4.00 | 933 | 0.75 | 75.9 | 5.5 | 2.4 | 2.4 | 0.00745 | 33 |
| HK 100L1-8 | 0.75 | 1.0 | 2.40 | 695 | 0.67 | 70.9 | 4.0 | 2.3 | 2.4 | 0.00598 | 33 |
| HK 100L2-8 | 1.1 | 1.5 | 3.32 | 696 | 0.69 | 72.9 | 5.0 | 2.1 | 2.4 | 0.00745 | 34 |
| HK 100L1-10 | 0.37 | 0.5 | 1.64 | 550 | 0.54 | 63.6 | 3.0 | 2.1 | 2.2 | 0.00640 | 34 |
| HK 100L2-10 | 0.55 | 0.75 | 2.41 | 550 | 0.54 | 64.1 | 3.0 | 2.1 | 2.2 | 0.00845 | 35 |
| HK 100L1-12 | 0.37 | 0.5 | 1.97 | 455 | 0.52 | 54.8 | 2.5 | 1.8 | 2.2 | 0.00634 | 34 |
| HK 100L2-12 | 0.55 | 0.75 | 2.86 | 460 | 0.52 | 56.2 | 2.5 | 1.8 | 2.2 | 0.0085 | 35 |
| HK 112M-2 | 4.0 | 5.5 | 8.13 | 2862 | 0.88 | 84.9 | 7.5 | 2.6 | 2.5 | 0.0055 | 40 |
| HK 112M-4 | 4.0 | 5.5 | 8.81 | 1438 | 0.82 | 84.1 | 7.0 | 2.6 | 2.9 | 0.01176 | 44 |
| HK 112M-6 | 2.2 | 3.0 | 5.57 | 946 | 0.76 | 78.9 | 6.5 | 2.5 | 2.4 | 0.01324 | 39 |
| HK 112M-8 | 1.5 | 2.0 | 4.41 | 700 | 0.69 | 74.9 | 5.0 | 2.3 | 2.8 | 0.01326 | 39 |
| HK 112M-10 | 0.75 | 1.0 | 3.07 | 550 | 0.55 | 67.5 | 3.5 | 2.1 | 2.2 | 0.01421 | 41 |
| HK 112M-12 | 0.75 | 1.0 | 3.50 | 465 | 0.54 | 60.3 | 3.0 | 1.7 | 2.2 | 0.01421 | 41 |
| HK 132S1-2 | 5.5 | 7.5 | 11.05 | 2890 | 0.88 | 85.9 | 7.5 | 2.6 | 2.8 | 0.01378 | 59 |
| HK 132S2-2 | 7.5 | 10 | 15 | 2890 | 0.88 | 86.9 | 7.5 | 2.5 | 2.6 | 0.01456 | 62 |
| HK 132S-4 | 5.5 | 7.5 | 12 | 1445 | 0.83 | 85.6 | 7.0 | 2.6 | 2.8 | 0.02465 | 61 |
| HK 132M-4 | 7.5 | 10 | 16 | 1445 | 0.84 | 86.9 | 7.0 | 2.6 | 2.8 | 0.03301 | 73 |
| HK 132S-6 | 3.0 | 4.0 | 7.41 | 965 | 0.76 | 80.9 | 6.5 | 2.5 | 3.1 | 0.02821 | 56 |
| HK 132M1-6 | 4.0 | 5.5 | 9.76 | 965 | 0.76 | 81.9 | 6.5 | 2.8 | 3.2 | 0.03716 | 71 |
| HK 132M2-6 | 5.5 | 7.5 | 13 | 967 | 0.77 | 83.9 | 6.5 | 2.8 | 3.1 | 0.04889 | 75 |

| 电机型号 | 额定功率 | | 电流 | 转速 | 功率因数 | 效率 | 堵转电流 /额定电流 | 堵转转矩 /额定转矩 | 最大转矩 /额定转矩 | 转动惯量 | 重量 |
|-------------|------|-----|------|-------|------|------|---------------|---------------|---------------|------------------|-----|
| | kW | HP | A | r/min | COSφ | η% | Ist/In | Tst/Tn | Tmax/Tn | kgm ² | kg |
| HK 132S-8 | 2.2 | 3.0 | 6.04 | 715 | 0.71 | 77.9 | 6.0 | 2.1 | 2.8 | 0.02903 | 62 |
| HK 132M-8 | 3.0 | 4.0 | 7.91 | 713 | 0.73 | 78.9 | 6.0 | 2.1 | 2.6 | 0.03828 | 66 |
| HK 132S-10 | 1.1 | 1.5 | 4.30 | 555 | 0.55 | 70.7 | 4.0 | 2.1 | 2.2 | 0.02856 | 64 |
| HK 132M1-10 | 1.5 | 2.0 | 5.80 | 555 | 0.55 | 71.4 | 4.0 | 2.1 | 2.2 | 0.03921 | 68 |
| HK 132M2-10 | 2.2 | 3.0 | 8.44 | 555 | 0.55 | 72.0 | 4.0 | 2.1 | 2.2 | 0.04350 | 69 |
| HK 132S-12 | 1.1 | 1.5 | 4.99 | 470 | 0.52 | 64.4 | 4.0 | 1.8 | 2.2 | 0.02856 | 64 |
| HK 132M-12 | 1.5 | 2.0 | 6.72 | 470 | 0.52 | 65.2 | 4.0 | 1.8 | 2.2 | 0.03921 | 68 |
| HK 160M1-2 | 11 | 15 | 21 | 2925 | 0.89 | 88.3 | 7.5 | 2.6 | 3.4 | 0.0442 | 107 |
| HK 160M2-2 | 15 | 20 | 29 | 2931 | 0.89 | 89.3 | 7.5 | 2.8 | 3.4 | 0.0549 | 117 |
| HK 160L-2 | 18.5 | 25 | 35 | 2938 | 0.90 | 89.9 | 7.5 | 3.1 | 3.5 | 0.0654 | 134 |
| HK 160M-4 | 11 | 15 | 23 | 1451 | 0.84 | 88.3 | 7.0 | 2.8 | 3.2 | 0.0808 | 113 |
| HK 160L-4 | 15 | 20 | 30 | 1452 | 0.85 | 89.3 | 7.0 | 3.0 | 3.2 | 0.1052 | 133 |
| HK 160M-6 | 7.5 | 10 | 17 | 968 | 0.77 | 85.9 | 6.5 | 2.3 | 2.5 | 0.0877 | 108 |
| HK 160L-6 | 11 | 15 | 25 | 966 | 0.78 | 87.4 | 6.5 | 2.3 | 2.5 | 0.1212 | 131 |
| HK 160M1-8 | 4.0 | 5.5 | 10 | 718 | 0.73 | 80.9 | 6.0 | 2.2 | 2.2 | 0.065 | 94 |
| HK 160M2-8 | 5.5 | 7.5 | 14 | 722 | 0.74 | 82.9 | 6.0 | 2.3 | 2.2 | 0.088 | 106 |
| HK 160L-8 | 7.5 | 10 | 18 | 721 | 0.75 | 85.4 | 6.0 | 2.3 | 2.2 | 0.1229 | 128 |
| HK 160M1-10 | 3.0 | 4.0 | 10 | 560 | 0.57 | 77.2 | 4.5 | 2.0 | 2.2 | 0.0750 | 96 |
| HK 160M2-10 | 4.0 | 5.5 | 14 | 560 | 0.57 | 78.4 | 4.5 | 2.0 | 2.2 | 0.0910 | 108 |
| HK 160L-10 | 5.5 | 7.5 | 18 | 560 | 0.57 | 79.6 | 4.5 | 2.0 | 2.2 | 0.117 | 132 |
| HK 160M-12 | 2.2 | 3.0 | 8.71 | 475 | 0.55 | 69.8 | 4.5 | 1.8 | 2.2 | 0.0633 | 96 |
| HK 160L-12 | 3.0 | 4.0 | 11 | 480 | 0.55 | 72.1 | 4.5 | 1.8 | 2.2 | 0.114 | 130 |
| HK 180M-2 | 22 | 30 | 41 | 2951 | 0.90 | 90.4 | 7.5 | 2.3 | 3.0 | 0.0955 | 169 |
| HK 180M-4 | 18.5 | 25 | 36 | 1465 | 0.86 | 90.4 | 7.5 | 2.5 | 3.3 | 0.1499 | 167 |
| HK 180L-4 | 22 | 30 | 43 | 1464 | 0.86 | 90.9 | 7.5 | 2.5 | 3.0 | 0.1659 | 181 |
| HK 180L-6 | 15 | 20 | 32 | 976 | 0.81 | 88.9 | 7.0 | 2.4 | 2.4 | 0.2086 | 171 |
| HK 180L-8 | 11 | 15 | 25 | 725 | 0.76 | 87.4 | 6.6 | 2.5 | 3.1 | 0.2059 | 170 |

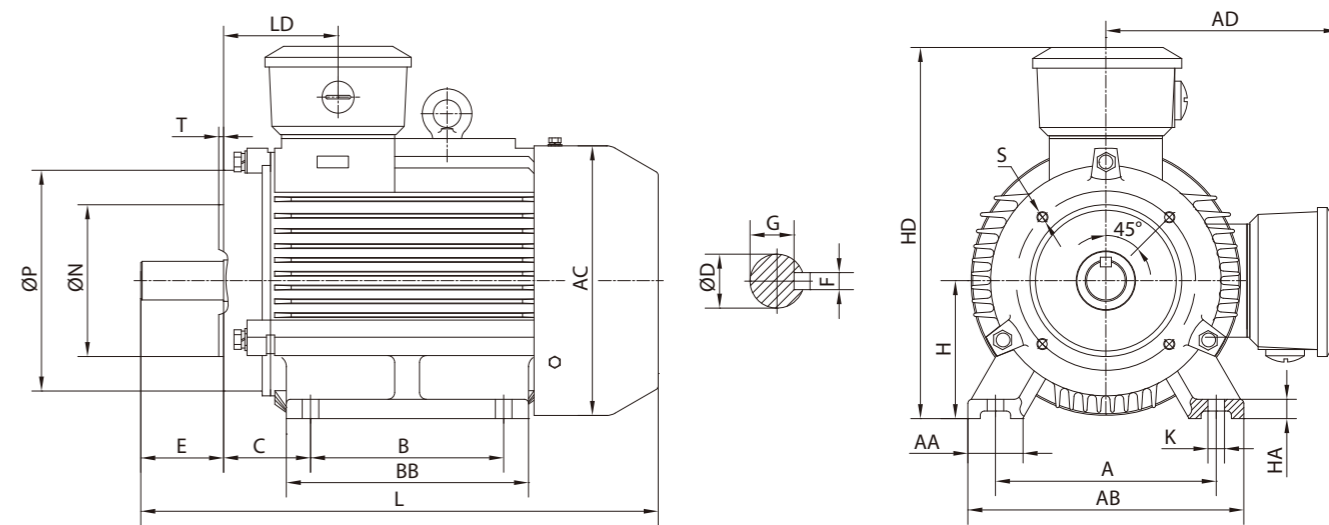
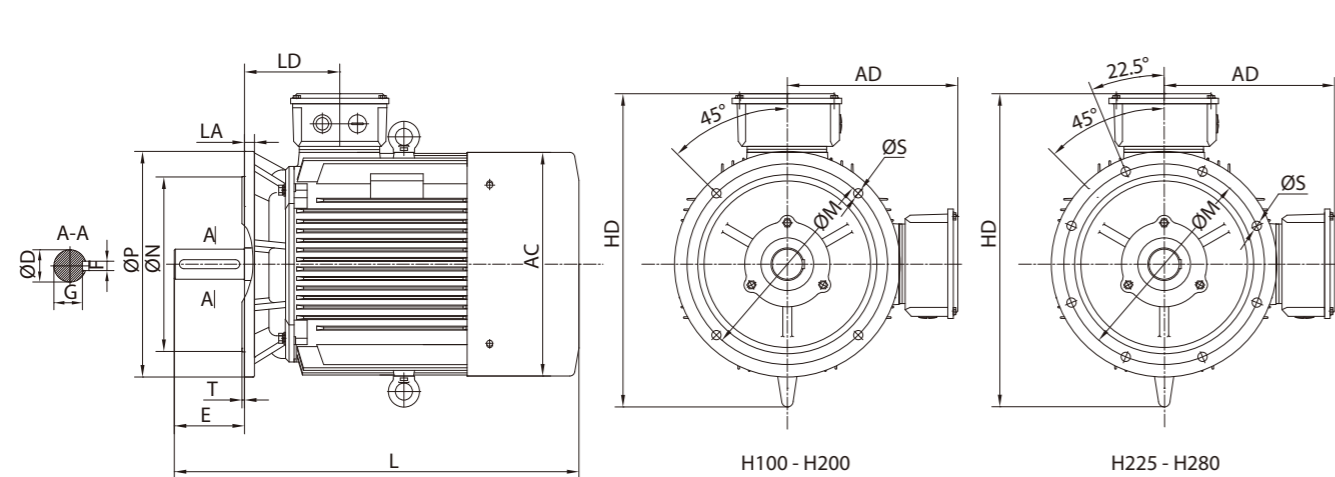
| 电机型号 | 额定功率 | | 电流 | 转速 | 功率因数 | 效率 | 堵转电流 /额定电流 | 堵转转矩 /额定转矩 | 最大转矩 /额定转矩 | 转动惯量 | 重量 |
|-------------|------|-----|-----|-------|------|------|---------------|---------------|---------------|------------------|-----|
| | kW | HP | A | r/min | COSφ | η% | Ist/In | Tst/Tn | Tmax/Tn | kgm ² | kg |
| HK 180L-10 | 7.5 | 10 | 20 | 565 | 0.68 | 83.6 | 5.0 | 1.8 | 2.4 | 0.187 | 176 |
| HK 180M-12 | 4.0 | 5.5 | 14 | 480 | 0.58 | 74.7 | 4.5 | 2.2 | 2.4 | 0.182 | 173 |
| HK 180L-12 | 5.5 | 7.5 | 19 | 480 | 0.58 | 75.1 | 4.5 | 2.2 | 2.4 | 0.182 | 173 |
| HK 200L1-2 | 30 | 40 | 55 | 2952 | 0.90 | 91.3 | 7.5 | 2.4 | 3.1 | 0.153 | 220 |
| HK 200L2-2 | 37 | 50 | 68 | 2950 | 0.90 | 91.9 | 7.5 | 2.5 | 2.9 | 0.173 | 239 |
| HK 200L-4 | 30 | 40 | 58 | 1468 | 0.86 | 91.9 | 7.2 | 2.5 | 3.3 | 0.273 | 232 |
| HK 200L1-6 | 18.5 | 25 | 39 | 978 | 0.81 | 89.9 | 7.0 | 2.4 | 3.1 | 0.302 | 216 |
| HK 200L2-6 | 22 | 30 | 45 | 976 | 0.83 | 89.9 | 7.0 | 2.4 | 3.0 | 0.342 | 225 |
| HK 200L-8 | 15 | 20 | 34 | 731 | 0.76 | 87.9 | 6.6 | 2.5 | 3.1 | 0.325 | 230 |
| HK 200L1-10 | 11 | 15 | 25 | 570 | 0.76 | 86.4 | 5.0 | 1.3 | 2.2 | 0.352 | 235 |
| HK 200L2-10 | 15 | 20 | 35 | 570 | 0.76 | 86.7 | 5.0 | 1.4 | 2.2 | 0.368 | 242 |
| HK 200L-12 | 7.5 | 10 | 20 | 480 | 0.68 | 85.1 | 4.0 | 2.1 | 2.2 | 0.385 | 275 |
| HK 225M-2 | 45 | 60 | 82 | 2962 | 0.90 | 92.4 | 7.5 | 2.8 | 3.9 | 0.268 | 297 |
| HK 225S-4 | 37 | 50 | 70 | 1472 | 0.87 | 92.4 | 7.2 | 2.5 | 3.1 | 0.469 | 287 |
| HK 225M-4 | 45 | 60 | 85 | 1477 | 0.87 | 92.7 | 7.2 | 2.5 | 3.3 | 0.538 | 322 |
| HK 225M-6 | 30 | 40 | 59 | 984 | 0.84 | 91.4 | 7.0 | 2.4 | 2.8 | 0.576 | 292 |
| HK 225S-8 | 18.5 | 25 | 41 | 733 | 0.76 | 89.9 | 6.6 | 2.3 | 3.3 | 0.538 | 272 |
| HK 225M-8 | 22 | 30 | 47 | 734 | 0.78 | 90.4 | 6.6 | 2.3 | 3.2 | 0.629 | 294 |
| HK 225M-10 | 18.5 | 25 | 41 | 580 | 0.77 | 89.6 | 5.0 | 1.6 | 2.2 | 0.638 | 301 |
| HK 225M-12 | 11 | 15 | 29 | 485 | 0.67 | 85.7 | 4.0 | 2.1 | 2.2 | 0.629 | 298 |
| HK 250M-2 | 55 | 75 | 100 | 2966 | 0.90 | 92.9 | 7.5 | 3.0 | 3.6 | 0.365 | 377 |
| HK 250M-4 | 55 | 75 | 103 | 1477 | 0.87 | 92.9 | 7.2 | 2.5 | 3.1 | 0.689 | 381 |
| HK 250M-6 | 37 | 50 | 71 | 981 | 0.86 | 91.9 | 7.0 | 2.6 | 3.3 | 0.807 | 366 |
| HK 250M-8 | 30 | 40 | 63 | 734 | 0.79 | 90.9 | 6.6 | 2.2 | 3.1 | 0.809 | 370 |
| HK 250M-10 | 22 | 30 | 48 | 580 | 0.78 | 89.8 | 5.5 | 1.4 | 2.2 | 0.827 | 376 |
| HK 250M-12 | 15 | 20 | 40 | 485 | 0.66 | 86.7 | 4.0 | 2.1 | 2.4 | 0.807 | 375 |

| 电机型号 | 额定功率 | | 电流 | 转速 | 功率因数 | 效率 | 堵转电流 /额定电流 | 堵转转矩 /额定转矩 | 最大转矩 /额定转矩 | 转动惯量 | 重量 |
|------------|------|-----|-----|-------|------|------|---------------|---------------|---------------|------------------|------|
| | kW | HP | A | r/min | COSφ | η% | Ist/In | Tst/Tn | Tmax/Tn | kgm ² | kg |
| HK 280S-2 | 75 | 100 | 135 | 2974 | 0.90 | 93.5 | 7.5 | 2.5 | 2.8 | 0.601 | 510 |
| HK 280M-2 | 90 | 120 | 160 | 2961 | 0.91 | 93.8 | 7.5 | 2.5 | 2.8 | 0.683 | 540 |
| HK 280S-4 | 75 | 100 | 140 | 1481 | 0.87 | 93.7 | 7.2 | 2.5 | 2.6 | 1.267 | 510 |
| HK 280M-4 | 90 | 120 | 167 | 1481 | 0.87 | 94.1 | 7.2 | 2.5 | 2.6 | 1.552 | 600 |
| HK 280S-6 | 45 | 60 | 86 | 985 | 0.86 | 92.4 | 7.0 | 2.6 | 3.0 | 1.474 | 465 |
| HK 280M-6 | 55 | 75 | 105 | 983 | 0.86 | 92.7 | 7.0 | 2.6 | 3.0 | 1.732 | 540 |
| HK 280S-8 | 37 | 50 | 78 | 736 | 0.79 | 91.4 | 6.6 | 2.3 | 2.6 | 1.547 | 475 |
| HK 280M-8 | 45 | 60 | 94 | 737 | 0.79 | 91.9 | 6.6 | 2.3 | 2.6 | 1.857 | 555 |
| HK 280S-10 | 30 | 40 | 69 | 585 | 0.73 | 90.4 | 4.5 | 2.0 | 2.2 | 1.44 | 491 |
| HK 280M-10 | 37 | 50 | 85 | 585 | 0.73 | 90.6 | 4.5 | 2.1 | 2.2 | 1.66 | 564 |
| HK 280S-12 | 18.5 | 25 | 47 | 485 | 0.67 | 89.1 | 4.0 | 2.0 | 2.2 | 1.35 | 480 |
| HK 280M-12 | 22 | 30 | 56 | 485 | 0.67 | 89.5 | 4.0 | 1.7 | 2.2 | 1.65 | 561 |
| HK 315S-2 | 110 | 150 | 196 | 2974 | 0.91 | 93.9 | 7.1 | 2.1 | 2.6 | 1.408 | 920 |
| HK 315M-2 | 132 | 180 | 233 | 2972 | 0.91 | 94.4 | 7.1 | 2.1 | 2.6 | 1.558 | 970 |
| HK 315L1-2 | 160 | 215 | 280 | 2974 | 0.92 | 94.5 | 7.1 | 2.1 | 2.8 | 1.726 | 1080 |
| HK 315L2-2 | 200 | 270 | 349 | 2972 | 0.92 | 94.7 | 7.1 | 2.1 | 2.8 | 1.941 | 1170 |
| HK 315S-4 | 110 | 150 | 201 | 1485 | 0.88 | 94.4 | 6.9 | 2.5 | 3.0 | 2.980 | 921 |
| HK 315M-4 | 132 | 180 | 241 | 1485 | 0.88 | 94.7 | 6.9 | 2.5 | 2.9 | 3.480 | 1002 |
| HK 315L1-4 | 160 | 215 | 288 | 1486 | 0.89 | 94.8 | 6.9 | 2.5 | 2.6 | 3.678 | 1070 |
| HK 315L2-4 | 200 | 270 | 360 | 1485 | 0.89 | 94.9 | 6.9 | 2.5 | 2.6 | 4.470 | 1181 |
| HK 315S-6 | 75 | 100 | 142 | 985 | 0.86 | 93.4 | 7.0 | 2.3 | 2.6 | 3.194 | 861 |
| HK 315M-6 | 90 | 120 | 170 | 988 | 0.86 | 93.7 | 7.0 | 2.3 | 2.6 | 3.723 | 940 |
| HK 315L1-6 | 110 | 150 | 207 | 988 | 0.86 | 93.9 | 6.7 | 2.4 | 2.6 | 4.526 | 1110 |
| HK 315L2-6 | 132 | 180 | 245 | 989 | 0.87 | 94.1 | 6.7 | 2.4 | 2.5 | 5.157 | 1175 |
| HK 315S-8 | 55 | 75 | 111 | 740 | 0.81 | 92.7 | 6.6 | 2.1 | 2.4 | 3.682 | 905 |
| HK 315M-8 | 75 | 100 | 151 | 740 | 0.81 | 92.9 | 6.6 | 2.1 | 2.4 | 4.959 | 981 |
| HK 315L1-8 | 90 | 120 | 178 | 741 | 0.82 | 93.7 | 6.6 | 2.1 | 2.5 | 5.825 | 1071 |
| HK 315L2-8 | 110 | 150 | 217 | 742 | 0.82 | 93.9 | 6.4 | 2.2 | 2.5 | 6.753 | 1160 |



| 电机型号 | 额定功率 | | 电流 | 转速 | 功率因数 | 效率 | 堵转电流 /额定电流 | 堵转转矩 /额定转矩 | 最大转矩 /额定转矩 | 转动惯量 | 重量 |
|-------------|------|-----|-----|-------|------|------|---------------|---------------|---------------|------------------|------|
| | kW | HP | A | r/min | COSφ | η% | Ist/In | Tst/Tn | Tmax/Tn | kgm ² | kg |
| HK 315S-10 | 45 | 60 | 100 | 590 | 0.75 | 91.4 | 6.0 | 1.7 | 2.2 | 3.556 | 917 |
| HK 315M-10 | 55 | 75 | 121 | 590 | 0.75 | 91.9 | 6.0 | 1.7 | 2.2 | 4.249 | 998 |
| HK 315L1-10 | 75 | 100 | 162 | 590 | 0.76 | 92.4 | 6.0 | 1.7 | 2.2 | 5.543 | 1088 |
| HK 315L2-10 | 90 | 120 | 191 | 590 | 0.77 | 92.9 | 6.0 | 1.7 | 2.2 | 6.428 | 1177 |
| HK 315S-12 | 30 | 40 | 77 | 485 | 0.65 | 91.1 | 4.0 | 1.7 | 2.2 | 3.556 | 912 |
| HK 315M-12 | 37 | 50 | 95 | 485 | 0.65 | 91.2 | 4.0 | 1.7 | 2.2 | 4.249 | 987 |
| HK 315L1-12 | 45 | 60 | 113 | 485 | 0.66 | 91.3 | 4.0 | 1.7 | 2.2 | 5.543 | 1080 |
| HK 315L2-12 | 55 | 75 | 139 | 485 | 0.66 | 91.4 | 4.0 | 1.7 | 2.2 | 6.428 | 1165 |
| HK 355M-2 | 250 | 335 | 434 | 2985 | 0.92 | 95.2 | 7.1 | 1.8 | 2.4 | 3.296 | 1690 |
| HK 355L1-2 | 280 | 375 | 485 | 2977 | 0.92 | 95.4 | 7.1 | 1.8 | 2.4 | 3.849 | 1775 |
| HK 355L2-2 | 315 | 420 | 545 | 2988 | 0.92 | 95.5 | 7.1 | 1.8 | 2.4 | 3.95 | 1850 |
| HK 355M-4 | 250 | 335 | 443 | 1491 | 0.90 | 95.2 | 6.9 | 2.6 | 2.5 | 7.164 | 1720 |
| HK 355L1-4 | 280 | 375 | 495 | 1490 | 0.90 | 95.4 | 6.9 | 2.6 | 2.5 | 7.903 | 1850 |
| HK 355L2-4 | 315 | 420 | 557 | 1490 | 0.90 | 95.5 | 6.9 | 2.6 | 2.5 | 8.702 | 1950 |
| HK 355M1-6 | 160 | 215 | 293 | 992 | 0.88 | 94.4 | 6.7 | 2.3 | 2.2 | 9.27 | 1690 |
| HK 355M2-6 | 180 | 240 | 329 | 991 | 0.88 | 94.5 | 6.7 | 2.3 | 2.2 | 9.52 | 1770 |
| HK 355M3-6 | 200 | 270 | 365 | 992 | 0.88 | 94.6 | 6.7 | 2.3 | 2.2 | 10.8 | 1870 |
| HK 355L1-6 | 225 | 300 | 410 | 990 | 0.88 | 94.7 | 6.7 | 2.6 | 2.8 | 11.1 | 1900 |
| HK 355L2-6 | 250 | 335 | 455 | 991 | 0.88 | 94.8 | 6.7 | 2.6 | 2.8 | 11.8 | 1980 |
| HK 355L3-6 | 280 | 375 | 509 | 992 | 0.88 | 94.9 | 6.7 | 2.6 | 2.8 | 12.9 | 2150 |
| HK 355M1-8 | 132 | 180 | 261 | 744 | 0.82 | 93.6 | 6.4 | 2.2 | 2.2 | 12.9 | 1800 |
| HK 355M2-8 | 160 | 215 | 315 | 744 | 0.82 | 94.1 | 6.4 | 2.2 | 2.2 | 14.3 | 1890 |
| HK 355L1-8 | 180 | 240 | 350 | 744 | 0.83 | 94.2 | 6.4 | 2.2 | 2.2 | 15.0 | 1970 |
| HK 355L2-8 | 200 | 270 | 388 | 743 | 0.83 | 94.4 | 6.4 | 2.2 | 2.2 | 15.9 | 2040 |
| HK 355M1-10 | 110 | 150 | 230 | 590 | 0.78 | 93.1 | 5.5 | 1.5 | 2.2 | 9.4 | 1820 |
| HK 355M2-10 | 132 | 180 | 275 | 590 | 0.78 | 93.4 | 5.5 | 1.5 | 2.2 | 9.5 | 1910 |
| HK 355L-10 | 160 | 215 | 334 | 590 | 0.78 | 93.4 | 5.5 | 1.5 | 2.2 | 9.6 | 1993 |

| 电机型号 | 额定功率 | | 电流 | 转速 | 功率因数 | 效率 | 堵转电流 /额定电流 | 堵转转矩 /额定转矩 | 最大转矩 /额定转矩 | 转动惯量 | 重量 |
|-------------|------|-----|------|-------|------|------|---------------|---------------|---------------|------------------|------|
| | kW | HP | A | r/min | COSφ | η% | Ist/In | Tst/Tn | Tmax/Tn | kgm ² | kg |
| HK 355M1-12 | 75 | 100 | 173 | 490 | 0.71 | 92.7 | 5.0 | 1.4 | 2.2 | 4.01 | 1820 |
| HK 355M2-12 | 90 | 120 | 207 | 490 | 0.71 | 92.9 | 5.0 | 1.4 | 2.2 | 9.35 | 1900 |
| HK 355L-12 | 110 | 150 | 253 | 490 | 0.71 | 93.1 | 5.0 | 1.4 | 2.2 | 10.4 | 1975 |
| HK 400M1-2 | 355 | 475 | 627 | 2986 | 0.90 | 95.6 | 7.5 | 2.1 | 2.2 | 7.45 | 2850 |
| HK 400M2-2 | 400 | 535 | 704 | 2988 | 0.90 | 95.9 | 7.5 | 1.7 | 2.2 | 7.95 | 2950 |
| HK 400M3-2 | 450 | 600 | 791 | 2988 | 0.90 | 96.0 | 7.5 | 1.7 | 2.2 | 8.60 | 3200 |
| HK 400L-2 | 500 | 670 | 869 | 2988 | 0.91 | 96.1 | 7.5 | 1.8 | 2.2 | 9.60 | 3340 |
| HK 400M1-4 | 355 | 475 | 633 | 1490 | 0.89 | 95.7 | 6.5 | 2.1 | 2.2 | 14.7 | 2900 |
| HK 400M2-4 | 400 | 535 | 713 | 1491 | 0.89 | 95.8 | 6.5 | 1.5 | 2.2 | 15.2 | 3000 |
| HK 400M3-4 | 450 | 600 | 792 | 1489 | 0.90 | 95.9 | 6.5 | 1.7 | 2.2 | 16.1 | 3150 |
| HK 400L1-4 | 500 | 670 | 880 | 1492 | 0.90 | 95.9 | 6.5 | 1.5 | 2.2 | 17.3 | 3300 |
| HK 400L2-4 | 560 | 750 | 1007 | 1492 | 0.88 | 96.0 | 7.0 | 2.1 | 2.2 | 18.6 | 3460 |
| HK 400M1-6 | 315 | 420 | 578 | 992 | 0.87 | 95.1 | 6.5 | 1.9 | 2.2 | 21.2 | 3410 |
| HK 400M2-6 | 355 | 475 | 651 | 995 | 0.87 | 95.3 | 6.5 | 1.6 | 2.2 | 23.5 | 3650 |
| HK 400L1-6 | 400 | 535 | 723 | 994 | 0.88 | 95.5 | 6.5 | 1.7 | 2.2 | 26.4 | 3700 |
| HK 400L2-6 | 450 | 600 | 812 | 995 | 0.88 | 95.7 | 6.5 | 1.4 | 2.2 | 28.8 | 3820 |
| HK 400L3-6 | 500 | 670 | 901 | 994 | 0.88 | 95.8 | 6.5 | 1.8 | 2.2 | 31.4 | 3970 |
| HK 400M1-8 | 250 | 335 | 487 | 745 | 0.82 | 95.1 | 6.5 | 1.6 | 2.2 | 27.4 | 2900 |
| HK 400M2-8 | 280 | 375 | 546 | 745 | 0.82 | 95.1 | 6.5 | 1.5 | 2.2 | 28.9 | 3000 |
| HK 400L1-8 | 315 | 420 | 591 | 746 | 0.85 | 95.3 | 6.5 | 1.5 | 2.2 | 30.6 | 3100 |
| HK 400L2-8 | 355 | 475 | 664 | 744 | 0.85 | 95.6 | 6.5 | 1.4 | 2.2 | 32.4 | 3250 |
| HK 400L3-8 | 400 | 535 | 751 | 743 | 0.85 | 95.2 | 6.5 | 1.3 | 2.2 | 34.2 | 3400 |
| HK 400M1-10 | 180 | 240 | 364 | 595 | 0.79 | 95.0 | 6.0 | 1.4 | 2.2 | 27.5 | 2900 |
| HK 400M2-10 | 200 | 270 | 399 | 595 | 0.80 | 95.2 | 6.0 | 1.4 | 2.2 | 28.8 | 3000 |
| HK 400L1-10 | 250 | 335 | 492 | 595 | 0.81 | 95.4 | 6.0 | 1.3 | 2.2 | 30.50 | 3150 |
| HK 400L2-10 | 280 | 375 | 549 | 595 | 0.81 | 95.6 | 6.0 | 1.4 | 2.2 | 33.50 | 3380 |
| HK 400L3-10 | 315 | 420 | 617 | 595 | 0.81 | 95.8 | 6.0 | 1.4 | 2.2 | 33.50 | 3380 |



B5

| 机座号 | 极数 | 安装尺寸(mm) | | | | | | | | | | 外形尺寸(mm) | | | | |
|------|------|----------|-----|----|------|-----|-----|-----|---|-------|---|----------|-----|----|-----|------|
| | | D | E | F | G | M | N | P | R | S | T | AC | HD | LA | LD | L |
| 80M | 2~12 | 19 | 40 | 6 | 15.5 | 165 | 130 | 200 | 0 | 4-Ø12 | 4 | 160 | 225 | 12 | 75 | 280 |
| 90S | 2~12 | 24 | 50 | 8 | 20 | 165 | 130 | 200 | 0 | 4-Ø12 | 4 | 180 | 245 | 12 | 75 | 315 |
| 90L | 2~12 | 24 | 50 | 8 | 20 | 165 | 130 | 200 | 0 | 4-Ø12 | 4 | 180 | 245 | 12 | 75 | 340 |
| 100L | 2~12 | 28 | 60 | 8 | 24 | 215 | 180 | 250 | 0 | 4-Ø15 | 4 | 200 | 280 | 13 | 83 | 375 |
| 112M | 2~12 | 28 | 60 | 8 | 24 | 215 | 180 | 250 | 0 | 4-Ø15 | 4 | 225 | 305 | 14 | 87 | 400 |
| 132S | 2~12 | 38 | 80 | 10 | 33 | 265 | 230 | 300 | 0 | 4-Ø15 | 4 | 260 | 365 | 14 | 102 | 465 |
| 132M | 2~12 | 38 | 80 | 10 | 33 | 265 | 230 | 300 | 0 | 4-Ø15 | 4 | 260 | 365 | 14 | 102 | 505 |
| 160M | 2~12 | 42 | 110 | 12 | 37 | 300 | 250 | 350 | 0 | 4-Ø19 | 5 | 315 | 445 | 15 | 146 | 608 |
| 160L | 2~12 | 42 | 110 | 12 | 37 | 300 | 250 | 350 | 0 | 4-Ø19 | 5 | 315 | 445 | 15 | 146 | 652 |
| 180M | 2.4 | 48 | 110 | 14 | 42.5 | 300 | 250 | 350 | 0 | 4-Ø19 | 5 | 360 | 480 | 15 | 161 | 690 |
| 180L | 4~12 | 48 | 110 | 14 | 42.5 | 300 | 250 | 350 | 0 | 4-Ø19 | 5 | 360 | 480 | 15 | 161 | 730 |
| 200L | 2~12 | 55 | 110 | 16 | 49 | 350 | 300 | 400 | 0 | 4-Ø19 | 5 | 400 | 530 | 17 | 186 | 760 |
| 225S | 4.8 | 60 | 140 | 18 | 53 | 400 | 350 | 450 | 0 | 8-Ø19 | 5 | 450 | 575 | 20 | 189 | 810 |
| 225M | 2 | 55 | 110 | 16 | 49 | 400 | 350 | 450 | 0 | 8-Ø19 | 5 | 450 | 575 | 20 | 189 | 805 |
| | 4~12 | 60 | 140 | 18 | 53 | 400 | 350 | 450 | 0 | 8-Ø19 | 5 | 450 | 575 | 20 | 189 | 835 |
| 250M | 2 | 60 | 140 | 18 | 53 | 500 | 450 | 550 | 0 | 8-Ø19 | 5 | 490 | 635 | 22 | 207 | 910 |
| | 4~12 | 65 | 140 | 18 | 58 | 500 | 450 | 550 | 0 | 8-Ø19 | 5 | 490 | 635 | 22 | 207 | 910 |
| 280S | 2 | 65 | 140 | 18 | 58 | 500 | 450 | 550 | 0 | 8-Ø19 | 5 | 550 | 725 | 22 | 215 | 985 |
| | 4~12 | 75 | 140 | 20 | 67.5 | 500 | 450 | 550 | 0 | 8-Ø19 | 5 | 550 | 725 | 22 | 215 | 1005 |
| 280M | 2 | 65 | 140 | 18 | 58 | 500 | 450 | 550 | 0 | 8-Ø19 | 5 | 550 | 725 | 22 | 215 | 1030 |
| | 4~12 | 75 | 140 | 20 | 67.5 | 500 | 450 | 550 | 0 | 8-Ø19 | 5 | 550 | 725 | 22 | 215 | 1060 |

注: R为凸缘配合面到轴伸肩的距离

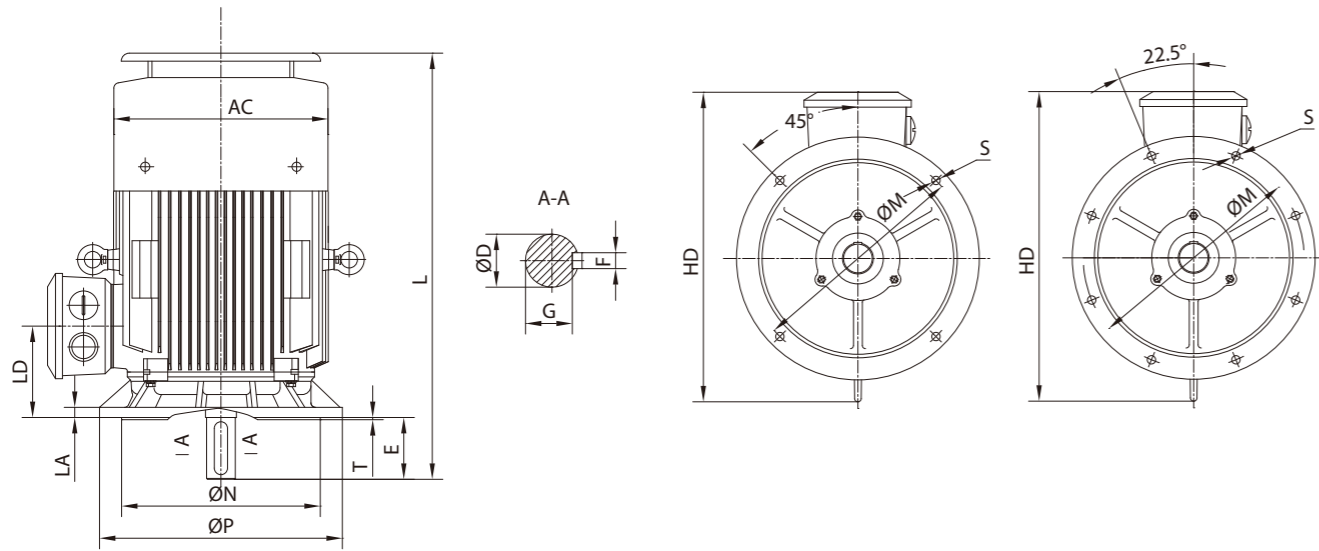
B34A

| 机座号 | 极数 | 安装尺寸(mm) | | | | | | | | | | | | | | | | 外形尺寸(mm) | | | | | | | |
|------|-------|----------|-----|----|----|----|----|------|-----|----|-----|-----|-----|---|-------|-----|-----|----------|-----|-----|----|-----|-----|-----|--|
| | | A | B | C | D | E | F | G | H | K | M | N | P | R | S | T | AB | AC | AD | BB | HA | HD | LD | L | |
| 63M | 2.4 | 100 | 80 | 40 | 11 | 23 | 4 | 8.5 | 63 | 7 | 75 | 60 | 90 | 0 | 4-M5 | 2.5 | 135 | 125 | / | 110 | 10 | 185 | 65 | 225 | |
| 71M | 2.4.6 | 112 | 90 | 45 | 14 | 30 | 5 | 11 | 71 | 7 | 85 | 70 | 105 | 0 | 4-M6 | 2.5 | 150 | 140 | / | 120 | 10 | 200 | 70 | 250 | |
| 80M | 2~12 | 125 | 100 | 50 | 19 | 40 | 6 | 15.5 | 80 | 10 | 100 | 80 | 120 | 0 | 4-M6 | 3 | 160 | 160 | 145 | 130 | 12 | 225 | 75 | 280 | |
| 90S | 2~12 | 140 | 100 | 56 | 24 | 50 | 8 | 20 | 90 | 10 | 115 | 95 | 140 | 0 | 4-M8 | 3 | 180 | 175 | 155 | 140 | 12 | 245 | 75 | 315 | |
| 90L | 2~12 | 140 | 125 | 56 | 24 | 50 | 8 | 20 | 90 | 10 | 115 | 95 | 140 | 0 | 4-M8 | 3 | 180 | 175 | 155 | 165 | 12 | 245 | 75 | 340 | |
| 100L | 2~12 | 160 | 140 | 63 | 28 | 60 | 8 | 24 | 100 | 12 | 130 | 110 | 160 | 0 | 4-M8 | 3.5 | 200 | 200 | 180 | 175 | 14 | 280 | 83 | 375 | |
| 112M | 2~12 | 190 | 140 | 70 | 28 | 60 | 8 | 24 | 112 | 12 | 130 | 110 | 160 | 0 | 4-M8 | 3.5 | 230 | 225 | 190 | 180 | 15 | 305 | 87 | 400 | |
| 132S | 2~12 | 216 | 140 | 89 | 38 | 80 | 10 | 33 | 132 | 12 | 165 | 130 | 200 | 0 | 4-M10 | 4 | 265 | 260 | 210 | 190 | 18 | 355 | 102 | 465 | |
| 132M | 2~12 | 216 | 178 | 89 | 38 | 80 | 10 | 33 | 132 | 12 | 165 | 130 | 200 | 0 | 4-M10 | 4 | 265 | 260 | 210 | 230 | 18 | 355 | 102 | 505 | |

B34B

| 机座号 | 极数 | 安装尺寸(mm) | | | | | | | | | | | | | | | | 外形尺寸(mm) | | | | | | | |
|------|-------|----------|-----|----|----|----|----|------|-----|----|-----|-----|-----|---|-------|-----|-----|----------|-----|-----|----|-----|-----|-----|--|
| | | A | B | C | D | E | F | G | H | K | M | N | P | R | S | T | AB | AC | AD | BB | HA | HD | LD | L | |
| 63M | 2.4 | 100 | 80 | 40 | 11 | 23 | 4 | 8.5 | 63 | 7 | 100 | 80 | 120 | 0 | 4-M6 | 3 | 135 | 125 | / | 110 | 10 | 185 | 65 | 225 | |
| 71M | 2.4.6 | 112 | 90 | 45 | 14 | 30 | 5 | 11 | 71 | 7 | 115 | 95 | 140 | 0 | 4-M8 | 3 | 150 | 140 | / | 120 | 10 | 200 | 70 | 250 | |
| 80M | 2~12 | 125 | 100 | 50 | 19 | 40 | 6 | 15.5 | 80 | 10 | 130 | 110 | 160 | 0 | 4-M8 | 3.5 | 160 | 160 | 145 | 130 | 12 | 225 | 75 | 280 | |
| 90S | 2~12 | 140 | 100 | 56 | 24 | 50 | 8 | 20 | 90 | 10 | 130 | 110 | 160 | 0 | 4-M8 | 3.5 | 180 | 175 | 155 | 140 | 12 | 245 | 75 | 315 | |
| 90L | 2~12 | 140 | 125 | 56 | 24 | 50 | 8 | 20 | 90 | 10 | 130 | 110 | 160 | 0 | 4-M8 | 3.5 | 180 | 175 | 155 | 165 | 12 | 245 | 75 | 340 | |
| 100L | 2~12 | 160 | 140 | 63 | 28 | 60 | 8 | 24 | 100 | 12 | 165 | 130 | 200 | 0 | 4-M10 | 3.5 | 200 | 200 | 180 | 175 | 14 | 280 | 83 | 375 | |
| 112M | 2~12 | 190 | 140 | 70 | 28 | 60 | 8 | 24 | 112 | 12 | 165 | 130 | 200 | 0 | 4-M10 | 3.5 | 230 | 225 | 190 | 180 | 15 | 305 | 87 | 400 | |
| 132S | 2~12 | 216 | 140 | 89 | 38 | 80 | 10 | 33 | 132 | 12 | 215 | 180 | 250 | 0 | 4-M12 | 4 | 265 | 260 | 210 | 190 | 18 | 355 | 102 | 465 | |
| 132M | 2~12 | 216 | 178 | 89 | 38 | 80 | 10 | 33 | 132 | 12 | 215 | 180 | 250 | 0 | 4-M12 | 4 | 265 | 260 | 210 | 230 | 18 | 355 | 102 | 505 | |

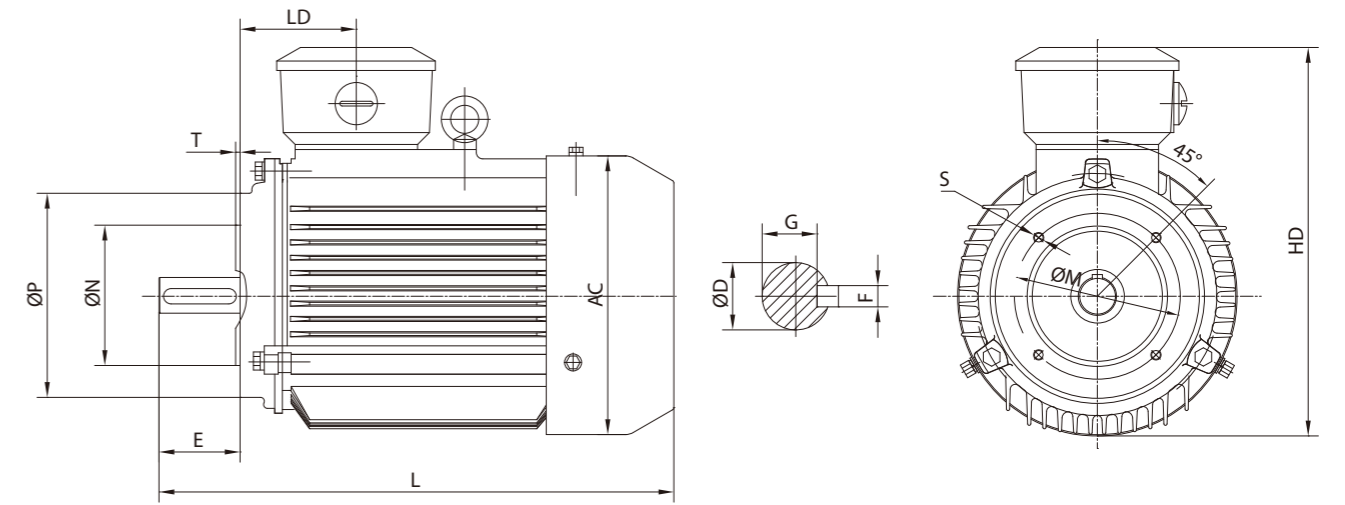
注: R为凸缘配合面到轴伸肩的距离



V1

| 机座号 | 极数 | 安装尺寸(mm) | | | | | | | | | | 外形尺寸(mm) | | | | |
|--------|------|----------|-----|----|------|-----|-----|------|---|-------|---|----------|------|----|-----|------|
| | | D | E | F | G | M | N | P | R | S | T | AC | HD | LA | LD | L |
| 80M | 2~12 | 19 | 40 | 6 | 15.5 | 165 | 130 | 200 | 0 | 4-Ø12 | 4 | 160 | 225 | 12 | 75 | 305 |
| 90S | 2~12 | 24 | 50 | 8 | 20 | 165 | 130 | 200 | 0 | 4-Ø12 | 4 | 175 | 245 | 12 | 75 | 345 |
| 90L | 2~12 | 24 | 50 | 8 | 20 | 165 | 130 | 200 | 0 | 4-Ø12 | 4 | 175 | 245 | 12 | 75 | 370 |
| 100L | 2~12 | 28 | 60 | 8 | 24 | 215 | 180 | 250 | 0 | 4-Ø15 | 4 | 200 | 280 | 13 | 83 | 410 |
| 112M | 2~12 | 28 | 60 | 8 | 24 | 215 | 180 | 250 | 0 | 4-Ø15 | 4 | 225 | 305 | 14 | 87 | 450 |
| 132S | 2~12 | 38 | 80 | 10 | 33 | 265 | 230 | 300 | 0 | 4-Ø15 | 4 | 260 | 365 | 14 | 102 | 510 |
| 132M | 2~12 | 38 | 80 | 10 | 33 | 265 | 230 | 300 | 0 | 4-Ø15 | 4 | 260 | 365 | 14 | 102 | 550 |
| 160M | 2~12 | 42 | 110 | 12 | 37 | 300 | 250 | 350 | 0 | 4-Ø19 | 5 | 315 | 445 | 15 | 146 | 660 |
| 160L | 2~12 | 42 | 110 | 12 | 37 | 300 | 250 | 350 | 0 | 4-Ø19 | 5 | 315 | 445 | 15 | 146 | 705 |
| 180M | 2.4 | 48 | 110 | 14 | 42.5 | 300 | 250 | 350 | 0 | 4-Ø19 | 5 | 360 | 480 | 15 | 161 | 750 |
| 180L | 4~12 | 48 | 110 | 14 | 42.5 | 300 | 250 | 350 | 0 | 4-Ø19 | 5 | 360 | 480 | 15 | 161 | 790 |
| 200L | 2~12 | 55 | 110 | 16 | 49 | 350 | 300 | 400 | 0 | 4-Ø19 | 5 | 400 | 530 | 17 | 186 | 840 |
| 225S | 4.8 | 60 | 140 | 18 | 53 | 400 | 350 | 450 | 0 | 8-Ø19 | 5 | 450 | 575 | 20 | 189 | 905 |
| 225M | 2 | 55 | 110 | 16 | 49 | 400 | 350 | 450 | 0 | 8-Ø19 | 5 | 450 | 575 | 20 | 189 | 910 |
| | 4~12 | 60 | 140 | 18 | 53 | 400 | 350 | 450 | 0 | 8-Ø19 | 5 | 450 | 575 | 20 | 189 | 935 |
| 250M | 2 | 60 | 140 | 18 | 53 | 500 | 450 | 550 | 0 | 8-Ø19 | 5 | 490 | 635 | 22 | 207 | 1005 |
| | 4~12 | 65 | 140 | 18 | 58 | 500 | 450 | 550 | 0 | 8-Ø19 | 5 | 490 | 635 | 22 | 207 | 1005 |
| 280S | 2 | 65 | 140 | 18 | 58 | 500 | 450 | 550 | 0 | 8-Ø19 | 5 | 550 | 725 | 22 | 215 | 1110 |
| | 4~12 | 75 | 140 | 20 | 67.5 | 500 | 450 | 550 | 0 | 8-Ø19 | 5 | 550 | 725 | 22 | 215 | 1130 |
| 280M | 2 | 65 | 140 | 18 | 58 | 500 | 450 | 550 | 0 | 8-Ø19 | 5 | 550 | 725 | 22 | 215 | 1155 |
| | 4~12 | 75 | 140 | 20 | 67.5 | 500 | 450 | 550 | 0 | 8-Ø19 | 5 | 550 | 725 | 22 | 215 | 1185 |
| 315S | 2 | 65 | 140 | 18 | 58 | 600 | 550 | 660 | 0 | 8-Ø24 | 6 | 625 | 865 | 22 | 257 | 1340 |
| | 4~12 | 80 | 170 | 22 | 71 | 600 | 550 | 660 | 0 | 8-Ø24 | 6 | 625 | 865 | 22 | 257 | 1370 |
| 315M,L | 2 | 65 | 140 | 18 | 58 | 600 | 550 | 660 | 0 | 8-Ø24 | 6 | 625 | 865 | 22 | 257 | 1450 |
| | 4~12 | 80 | 170 | 22 | 71 | 600 | 550 | 660 | 0 | 8-Ø24 | 6 | 625 | 865 | 22 | 257 | 1480 |
| 355M,L | 2 | 75 | 140 | 20 | 67.5 | 740 | 680 | 800 | 0 | 8-Ø24 | 6 | 710 | 970 | 25 | 284 | 1665 |
| | 4~12 | 95 | 170 | 25 | 86 | 740 | 680 | 800 | 0 | 8-Ø24 | 6 | 710 | 970 | 25 | 284 | 1700 |
| 400M,L | 2 | 80 | 170 | 22 | 71 | 940 | 880 | 1000 | 0 | 8-Ø28 | 6 | 860 | 1150 | 25 | 362 | 2150 |
| | 4~12 | 110 | 210 | 28 | 100 | 940 | 880 | 1000 | 0 | 8-Ø28 | 6 | 860 | 1150 | 25 | 362 | 2220 |

注: R为凸缘配合面到轴伸肩的距离



B14A

| 机座号 | 极数 | 安装尺寸(mm) | | | | | | | | | | 外形尺寸(mm) | | | |
|------|-------|----------|----|----|------|-----|-----|-----|---|-------|-----|----------|-----|-----|-----|
| | | D | E | F | G | M | N | P | R | S | T | AC | HD | LD | L |
| 63M | 2.4 | 11 | 23 | 4 | 8.5 | 75 | 60 | 90 | 0 | 4-M5 | 2.5 | 125 | 185 | 65 | 225 |
| 71M | 2.4.6 | 14 | 30 | 5 | 11 | 85 | 70 | 105 | 0 | 4-M6 | 2.5 | 140 | 200 | 70 | 250 |
| 80M | 2~12 | 19 | 40 | 6 | 15.5 | 100 | 80 | 120 | 0 | 4-M6 | 3 | 160 | 225 | 75 | 280 |
| 90S | 2~12 | 24 | 50 | 8 | 20 | 115 | 95 | 140 | 0 | 4-M8 | 3 | 175 | 245 | 75 | 315 |
| 90L | 2~12 | 24 | 50 | 8 | 20 | 115 | 95 | 140 | 0 | 4-M8 | 3 | 175 | 245 | 75 | 340 |
| 100L | 2~12 | 28 | 60 | 8 | 24 | 130 | 110 | 160 | 0 | 4-M8 | 3.5 | 200 | 280 | 83 | 375 |
| 112M | 2~12 | 28 | 60 | 8 | 24 | 130 | 110 | 160 | 0 | 4-M8 | 3.5 | 225 | 305 | 87 | 400 |
| 132S | 2~12 | 38 | 80 | 10 | 33 | 165 | 130 | 200 | 0 | 4-M10 | 4 | 260 | 365 | 102 | 465 |
| 132M | 2~12 | 38 | 80 | 10 | 33 | 165 | 130 | 200 | 0 | 4-M10 | 4 | 260 | 365 | 102 | 505 |

注: R为凸缘配合面到轴伸肩的距离

B14B

| 机座号 | 极数 | 安装尺寸(mm) | | | | | | | | | | 外形尺寸(mm) | | | |
|------|-------|----------|----|----|------|-----|-----|-----|---|-------|-----|----------|-----|-----|-----|
| | | D | E | F | G | M | N | P | R | S | T | AC | HD | LD | L |
| 63M | 2.4 | 11 | 23 | 4 | 8.5 | 100 | 80 | 120 | 0 | 4-M6 | 3 | 125 | 185 | 65 | 225 |
| 71M | 2.4.6 | 14 | 30 | 5 | 11 | 115 | 95 | 140 | 0 | 4-M8 | 3 | 140 | 200 | 70 | 250 |
| 80M | 2~12 | 19 | 40 | 6 | 15.5 | 130 | 110 | 160 | 0 | 4-M8 | 3.5 | 160 | 225 | 75 | 280 |
| 90S | 2~12 | 24 | 50 | 8 | 20 | 130 | 110 | 160 | 0 | 4-M8 | 3.5 | 175 | 245 | 75 | 315 |
| 90L | 2~12 | 24 | 50 | 8 | 20 | 130 | 110 | 160 | 0 | 4-M8 | 3.5 | 175 | 245 | 75 | 340 |
| 100L | 2~12 | 28 | 60 | 8 | 24 | 165 | 130 | 200 | 0 | 4-M10 | 3.5 | 200 | 280 | 83 | 375 |
| 112M | 2~12 | 28 | 60 | 8 | 24 | 165 | 130 | 200 | 0 | 4-M10 | 3.5 | 225 | 305 | 87 | 400 |
| 132S | 2~12 | 38 | 80 | 10 | 33 | 215 | 180 | 250 | 0 | 4-M12 | 4 | 260 | 365 | 102 | 465 |
| 132M | 2~12 | 38 | 80 | 10 | 33 | 215 | 180 | 250 | 0 | 4-M12 | 4 | 260 | 365 | 102 | 505 |

注: R为凸缘配合面到轴伸肩的距离

接线盒

| 机座号 | 管螺纹孔数与直径M | 外形尺寸 X×Y×Z |
|---------|-----------|---------------|
| | mm | mm |
| 63~100 | 1-M20×1.5 | 106×108×65 |
| 112~132 | 1-M25×1.5 | 124×128×78 |
| 160~180 | 2-M32×1.5 | 158×168×90 |
| 200~225 | 2-M50×1.5 | 196×216×105 |
| 250~280 | 2-M63×1.5 | 226×226×124 |
| 315 | 2-M63×1.5 | 303×303×170 |
| 355 | 2-M72×2 | 360×485×200 |
| 400 | 7-M63×1.5 | 430×545×275 |

轴承

| 机座号 | 轴伸端 | | | 非轴伸端 | | |
|-----|-----------|-----------|-----------|------------------|------------------|------------------|
| | 2极 | 4极 | >6极 | 2极 | 4极 | >6极 |
| 63 | 6201ZZ | 6201ZZ | 6201ZZ | 6201ZZ | 6201ZZ | 6201ZZ |
| 71 | 6202ZZ | 6202ZZ | 6202ZZ | 6202ZZ | 6202ZZ | 6202ZZ |
| 80 | 6204ZZ | 6204ZZ | 6204ZZ | 6204ZZ | 6204ZZ | 6204ZZ |
| 90 | 6205ZZ/C3 | 6205ZZ/C3 | 6205ZZ | 6205ZZ/C3 | 6205ZZ/C3 | 6205ZZ |
| 100 | 6206ZZ/C3 | 6206ZZ/C3 | 6206ZZ/C3 | 6206ZZ/C3 | 6206ZZ/C3 | 6206ZZ/C3 |
| 112 | 6306ZZ/C3 | 6306ZZ/C3 | 6306ZZ/C3 | 6306ZZ/C3 | 6306ZZ/C3 | 6306ZZ/C3 |
| 132 | 6308ZZ/C3 | 6308ZZ/C3 | 6308ZZ/C3 | 6308ZZ/C3 | 6308ZZ/C3 | 6308ZZ/C3 |
| 160 | 6309ZZ/C3 | 6309ZZ/C3 | 6309ZZ/C3 | 6309ZZ/C3 | 6309ZZ/C3 | 6309ZZ/C3 |
| 180 | 6311ZZ/C3 | 6311ZZ/C3 | 6311ZZ/C3 | 6311ZZ/C3 | 6311ZZ/C3 | 6311ZZ/C3 |
| 200 | 6312ZZ/C3 | 6312ZZ/C3 | 6312ZZ/C3 | 6312ZZ/C3 | 6312ZZ/C3 | 6312ZZ/C3 |
| 225 | 6313ZZ/C3 | 6313ZZ/C3 | 6313ZZ/C3 | 6313ZZ/C3 | 6313ZZ/C3 | 6313ZZ/C3 |
| 250 | 6314ZZ/C3 | 6314ZZ/C3 | 6314ZZ/C3 | 6314ZZ/C3 | 6314ZZ/C3 | 6314ZZ/C3 |
| 280 | 6314C3 | 6317C3 | 6317C3 | 6314C3 | 6317C3 | 6317C3 |
| 315 | 6317C3 | 6319C3 | 6319C3 | 6317C3/7317B(V1) | 6319C3/7319B(V1) | 6319C3/7319B(V1) |
| 355 | 6317C3 | 6322C3 | 6322C3 | 6317C3/7317B(V1) | 6320C3/7320B(V1) | 6320C3/7320B(V1) |
| 400 | 6317C3 | 6326C3 | 6326C3 | 6317C3/7317B(V1) | 6326C3/7326B(V1) | 6326C3/7326B(V1) |

噪声

| 功率 (kW) | 同步速率 r/min | | | | | |
|------------|------------|------|------|-----|-----|-----|
| | 3000 | 1500 | 1000 | 750 | 600 | 500 |
| | 声功率级 dB(A) | | | | | |
| | 空载 | 空载 | 空载 | 空载 | 空载 | 空载 |
| 0.09 | / | / | / | / | 52 | / |
| 0.12 | / | 52 | / | / | 52 | / |
| 0.18 | 61 | 52 | 52 | 52 | 56 | 56 |
| 0.25 | 61 | 55 | 52 | 52 | 56 | 56 |
| 0.37 | 64 | 55 | 54 | 56 | 59 | 59 |
| 0.55 | 64 | 58 | 54 | 56 | 59 | 59 |
| 0.75 | 67 | 58 | 57 | 59 | 61 | 61 |
| 1.1 | 67 | 61 | 57 | 59 | 64 | 64 |
| 1.5 | 72 | 61 | 61 | 61 | 64 | 64 |
| 2.2 | 72 | 64 | 65 | 64 | 64 | 68 |
| 3 | 76 | 64 | 69 | 64 | 68 | 68 |
| 4 | 77 | 65 | 69 | 68 | 68 | 70 |
| 5.5 | 80 | 71 | 69 | 68 | 68 | 70 |
| 7.5 | 80 | 71 | 73 | 68 | 70 | 73 |
| 11 | 86 | 75 | 73 | 70 | 73 | 73 |
| 15 | 86 | 75 | 73 | 73 | 73 | 75 |
| 18.5 | 86 | 76 | 76 | 73 | 73 | 76 |
| 22 | 89 | 76 | 76 | 73 | 75 | 76 |
| 30 | 92 | 79 | 76 | 75 | 76 | 82 |
| 37 | 92 | 81 | 76 | 76 | 76 | 82 |
| 45 | 92 | 81 | 78 | 76 | 82 | 82 |
| 55 | 93 | 83 | 80 | 82 | 82 | 82 |
| 75 | 94 | 86 | 85 | 82 | 82 | 90 |
| 90 | 94 | 86 | 85 | 82 | 82 | 90 |
| 110 | 96 | 93 | 85 | 82 | 82 | 90 |
| 132 | 96 | 93 | 85 | 90 | 90 | / |
| 160 | 99 | 97 | 92 | 90 | 90 | / |
| 200 | 99 | 97 | 92 | 90 | 92 | / |
| 250 | 103 | 101 | 92 | 91 | 92 | / |
| 315 | 103 | 101 | 92 | 92 | 92 | / |
| 355 | 103 | 101 | 95 | 92 | / | / |
| 400 | 105 | 103 | 95 | 92 | / | / |
| 450 | 105 | 103 | 95 | 92 | / | / |
| 500 | 105 | 103 | 95 | / | / | / |
| 560 | 105 | 103 | 95 | / | / | / |

60HZ在50HZ基础上加4dB